

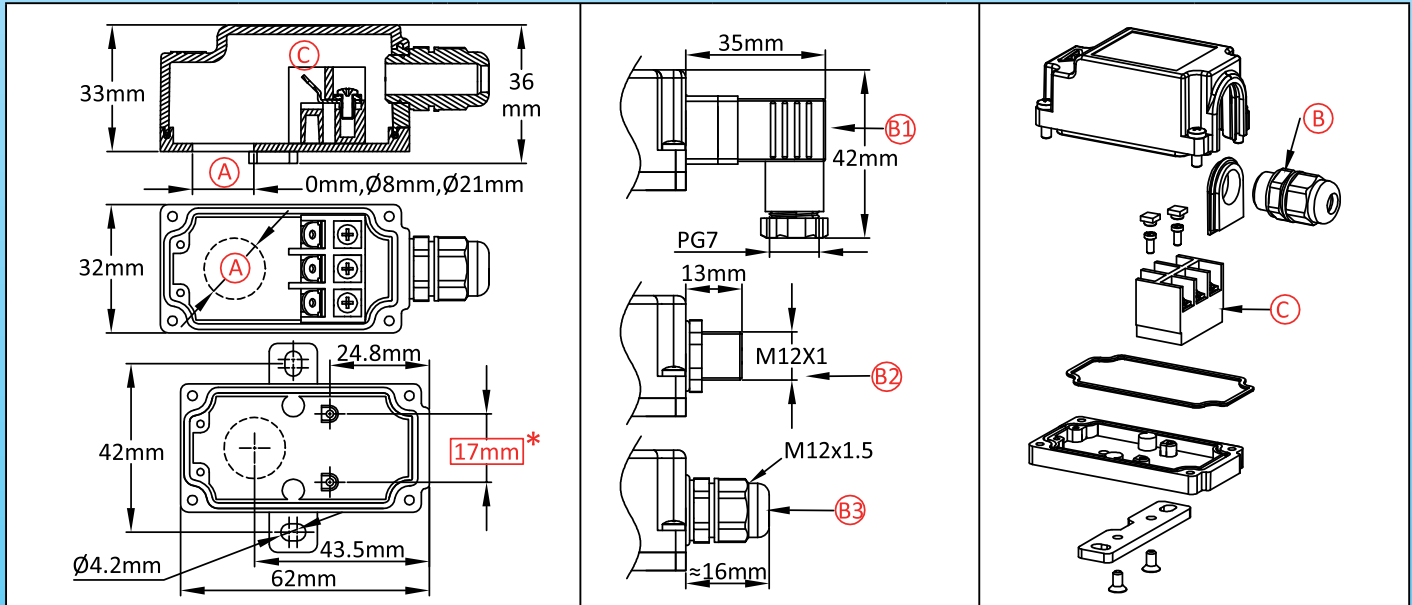
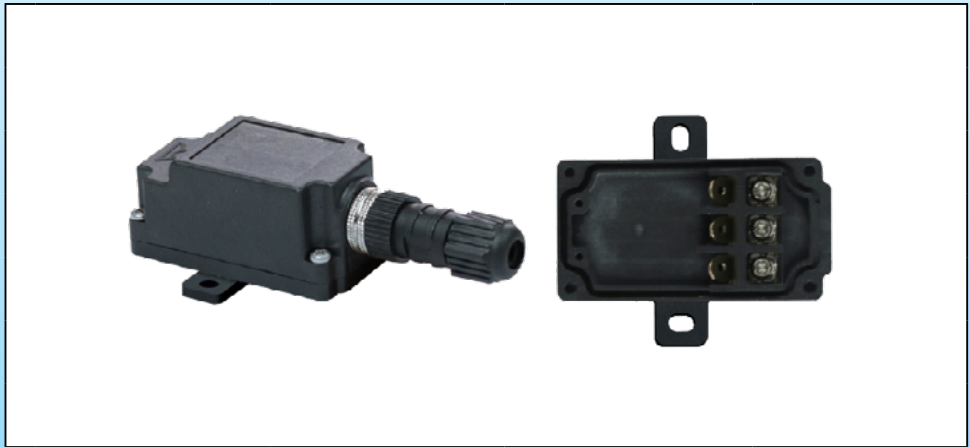


Sub-miniature enclosure for temperature sensor, level sensor, electronic printed circuit or cartridge heater, Removable wall mounting bracket

Because of permanent improvement of our products, drawings, descriptions, features used on these data sheets are for guidance only and can be modified without prior advice

Size(mm)	Volume(cm ³)	Material	Protection grade		Model
61 x 33 x 30	52	PA66	IPX4	IK8	Y3A1

Suitable for
<input checked="" type="checkbox"/> Temperature sensor
<input type="checkbox"/> Immersion heater
<input type="checkbox"/> Finned heater
<input type="checkbox"/> Thermostat
<input checked="" type="checkbox"/> Level sensor
<input type="checkbox"/> Electronic board



Main references

(A) (mm)	(B1)	(B2)	(B3)	With connection block (C)	Without connection block (C)
0	√	×	×	Y3A100001E1F100T	Y3A100001E10000T
0	×	√	×	Y3A100001E3F100T	Y3A100001E30000T
0	×	×	√	Y3A100001E2F100T	Y3A100001E20000T
8	√	×	×	Y3A108001E1F100T	Y3A108001E10000T
8	×	√	×	Y3A108001E3F100T	Y3A108001E30000T
8	×	×	√	Y3A108001E2F100T	Y3A108001E20000T
21	√	×	×	Y3A121001E1F100T	Y3A121001E10000T
21	×	√	×	Y3A121001E3F100T	Y3A121001E30000T
21	×	×	√	Y3A121001E2F100T	Y3A121001E20000T

Others drilling diameters on request.

Red dimensions inside rectangular frames on drawings are used for accessories assembly.